

◆ I want a smaller installation footprint for my production line

**I want to shorten my overall line length even when stamping thick material! ②**

Using an AIDA Straightener Feeder

**Footprint reduced by 40%!**

■ Customer's Application: Auto Parts

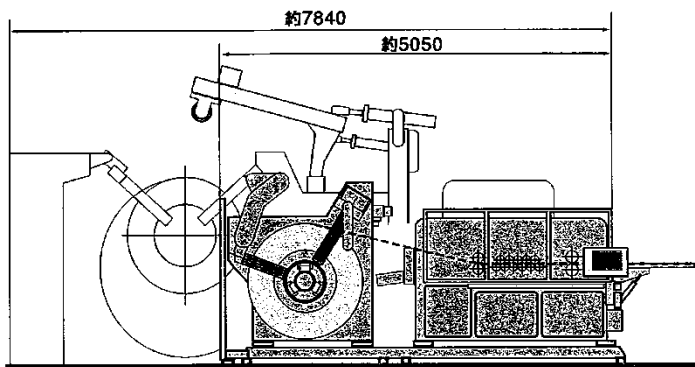
**【Before】**

■ Situation Before Consulting with AIDA ENGINEERING, Ltd.:

The customer was using a straightener feeder.

The customer wanted to shorten the entire line and make the installation footprint smaller.

**【Countermeasure】 Introduced an LFU-Series loopless direct feeder.**



Compact because there is no loop!

Material Thickness:  
Max. 10 mm

LFU



Please contact AIDA for details.

**【After】**

The overall line length was shortened from 7840 mm to 5050 mm.

40% space reduction compared to a conventional line.